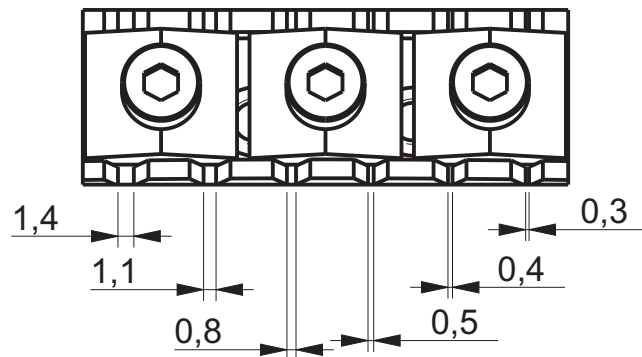
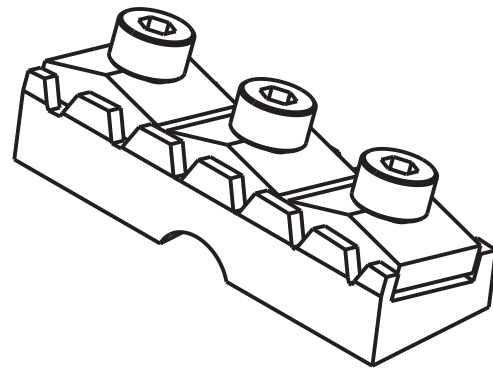
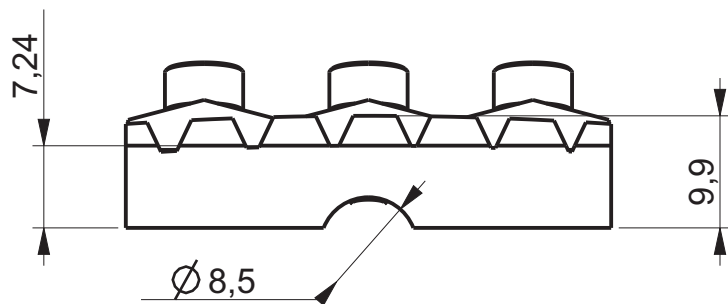
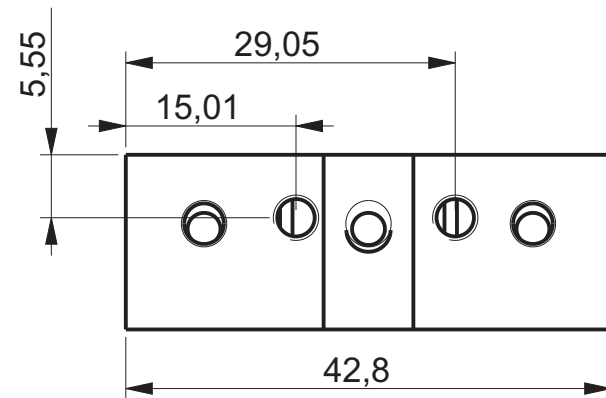


ABM7050-R3 Locking Nut



Description

- milled from solid bell brass
- 12 inch fretboard radius
- mountable from the top or the back
- with truss rod cavity