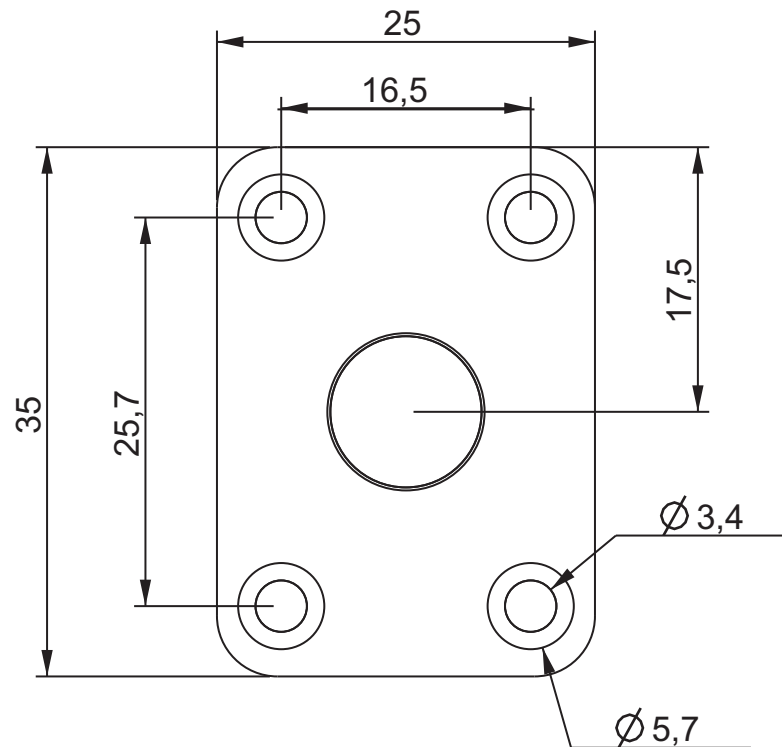


ABM7272 Jack Plate



Description

- milled from solid bell brass
- suitable for LP-Modells
- 1.5 mm thickness